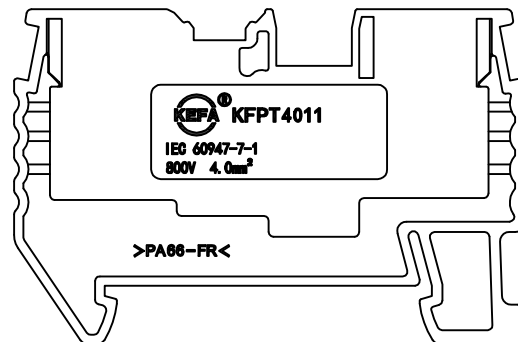
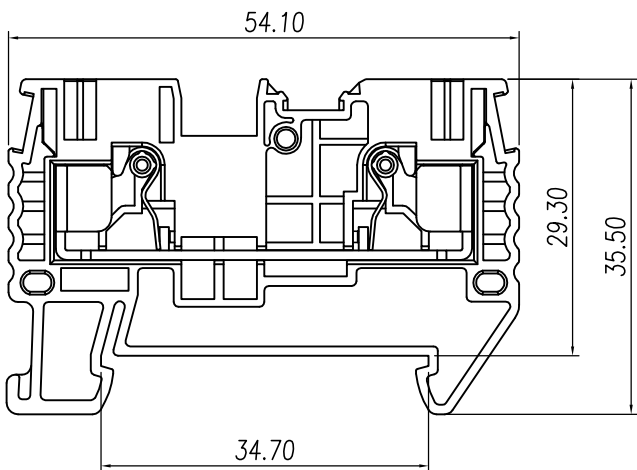
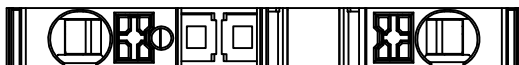


linear dimension(Tolerances Standard GB/T 14486-2008)								—	∕	⊥
variable range	to 6	over 6	over 10	over 30	over 60	over 100	over 160	to 10	over 10	over 100
		to 10	to 30	to 60	to 100	to 160	to 100		to	
tolerance	±0.20	±0.30	±0.50	±0.70	±1.00	±1.30	±1.60	0.10	0.30	0.60



REVISION RECORD				
REV.	DESCRIPTION	ECN No.	APPROVED	DATE
A	新发行		CLF	21.12.30

UL/CUL 技术参数 UL/CUL Technical Data					
等级	Use Group		B	C	D
额定电压	Rated Voltage [V]		600	600	600
额定电流	Rated Current [A]		30	30	5
接线范围	Wire Range		24-10		
单/多芯线	Solid/Stranded [AWG]				
耐电压	Withstanding Voltage		2200V/1Min		
IEC 技术参数 IEC Technical Data					
过电压类别	Overvoltage Category		III	-	-
污染等级	Contamination Class		3	-	-
额定电压	Rated Voltage [V]		800	-	-
额定电流	Rated Current [A]		32	-	-
额定冲击电压	Impulse withstand voltage <sup>a</sup> [KV]		8.0	-	-
导线截面积	Conductor cross section		0.2-4(6sol)		
硬质/柔性导线	Solid/flexible [mm²]				
材料 Material					
绝缘材料	Insulation Material		PA66		
阻燃等级	Imflammability		UL94V-0		
导体材料	Contacting Material		铜合金 Copper alloy		
导体表面镀层	Contactive Coating		镀锡 Tin Plated		
一般参数 Other Data					
间距	Pitch [mm]		6.2		
极数	Poles [P]		01P		
剥线长度	Stripping Length [mm]		11~13		
螺丝	Screw/扭矩 Torque(Max) [N.m]		-		
工作温度	Operating temperatur [°C]		-40~+105		
引针尺寸	Pin Dimensions [mm]		-		
PCB板孔径	PCB Hole Diameter [mm]		-		

DES.	WW	DATE	21.07.15
CHK.	BY	DATE	21.07.15
APP.	CLF	DATE	21.07.15

单位/UNITS	mm	尺寸/SIZE	A4	比例/SCALE	1:1
 <b>慈溪市科发电子有限公司</b> CIXI KEFA ELECTRONIC CO., LTD					

第三视角/THIRD ANGLE PROJECTION	版本/REV	A
名称/TITLE	<b>KFPT4011</b>	