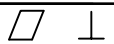


linear dimension(Tolerances Standard GB/T 14486-2008)								—  $\perp$		
variable range	to	over	over	over	over	over	over	to	over	over
	6	6 to 10	10 to 30	30 to 60	60 to 100	100 to 160	160	10	100	160
tolerance	$\pm 0.20$	$\pm 0.30$	$\pm 0.50$	$\pm 0.70$	$\pm 1.00$	$\pm 1.30$	$\pm 1.60$	0.10	0.30	0.60

名称/TITLE	保险丝规格 /Fuse specifications
KF803-2*XXP-6x30	6x30 mm
KF803-2*XXP-5x20	5x20 mm
KF803-2*XXP-6.3x25	6.3x25 mm

注意事项/Notes:  
 装入保险丝后才能连接电线 /The wire must be connected after the fuse is installed.

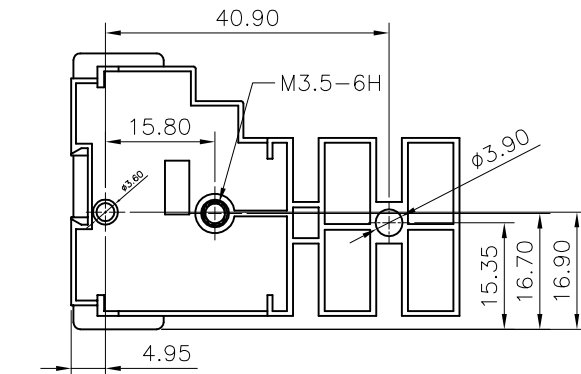
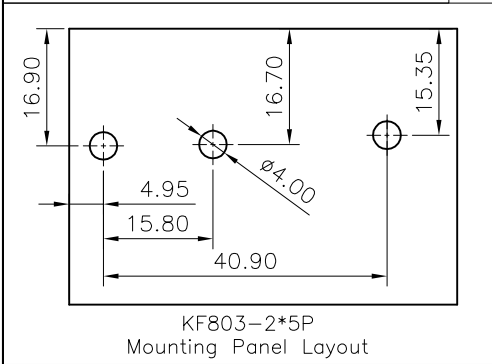
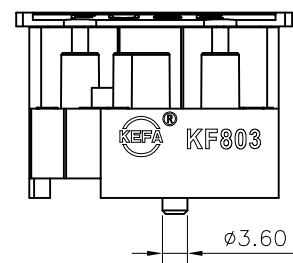
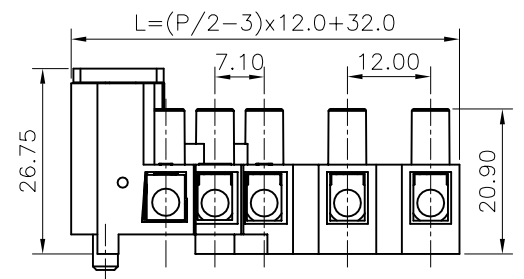
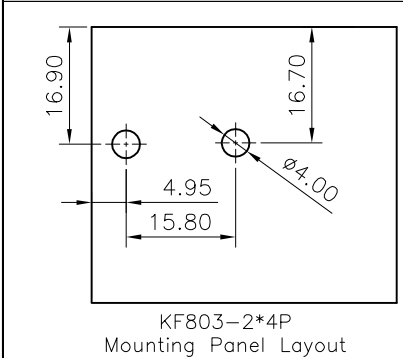
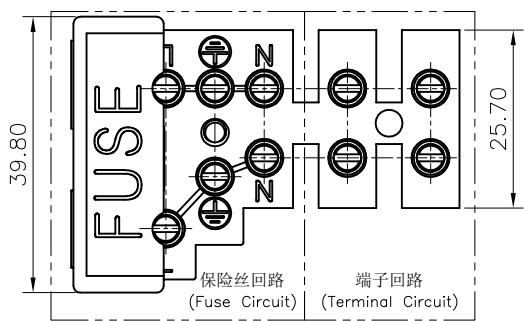
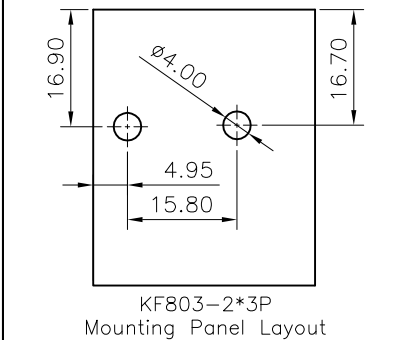
REVISION RECORD				
REV.	DESCRIPTION	ECN No.	APPROVED	DATE
A	新发行	/	CLF	26.05.20

UL/CUL 技术参数		UL/CUL Technical Data					
等级	Use Group	保险丝回路 Fuse Circuit			端子回路 Terminal Circuit		
		B	C	D	B	C	D
额定电压	Rated Voltage [V]	300	300	600	600	600	600
额定电流	Rated Current [A]	13	13	5	30	30	5
耐电压	Withstanding Voltage	AC1600V, 1 min			AC2200V, 1 min		
接线范围	Wire Range	18-10					
单/多芯线	Solid/Stranded [AWG]						

IEC 技术参数		IEC Technical Data					
过电压类别	Overtoltage Category	III	III	II	III	III	II
污染等级	Contamination Class	3	2	2	3	2	2
额定电压	Rated Voltage [V]	保险丝回路 Fuse Circuit			端子回路 Terminal Circuit		
		500	/	/	1000	/	/
额定电流	Rated Current [A]	30	/	/	41	/	/
额定冲击电压	Impulse withstand voltage [KV]	6			8		
导线截面积	Conductor cross section	6.0, 2x2.5					
硬质/柔性导线	Solid/flexible [mm <sup>2</sup> ]						

材料		Material	
绝缘材料	Insulation Material	PA66	
阻燃等级	Imflammability	UL94V-0	
导体材料	Contactur Material	铜合金 Copper alloy	
导体表面镀层	Contactive Coating	镀镍 Ni Plated	

一般参数		Other Data	
间距	Pitch [mm]	7.1/12.0	
极数	Poles [P]	2*3P~2*5P	
剥线长度	Stripping Length [mm]	9	
螺丝	Screw/扭矩 Torque(Max) [N.m]	M3.5/0.8	
工作温度	Operating temperatur [°C]	-40°C ~ +105°C	
安装类型	Mounting Type	面板安装/Panel mounting	



DES.	LZH	DATE	2026. 05. 20
CHK.	SJD	DATE	2026. 05. 20
APP.	CLF	DATE	2026. 05. 20

单位/UNITS	mm	尺寸/SIZE	A4	比例/SCALE	1:1
 慈溪市科发电子有限公司 CIXI KEFA ELECTRONICS CO., LTD					

第三视角/THIRD ANGLE PROJECTION	版本/REV	A
名称/TITLE	KF803-2*XXP	