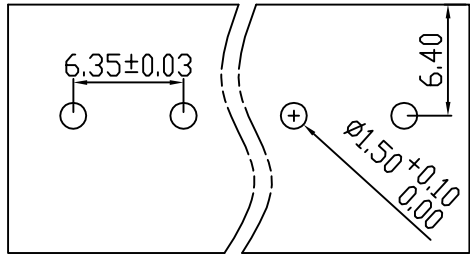
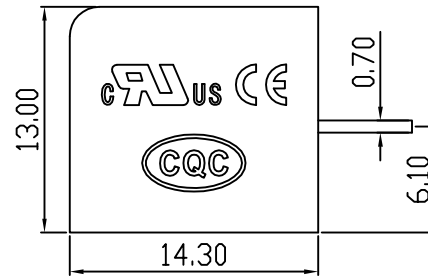
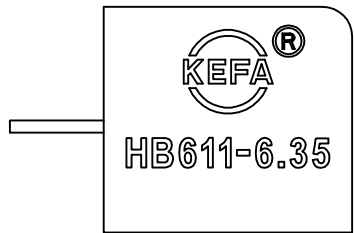
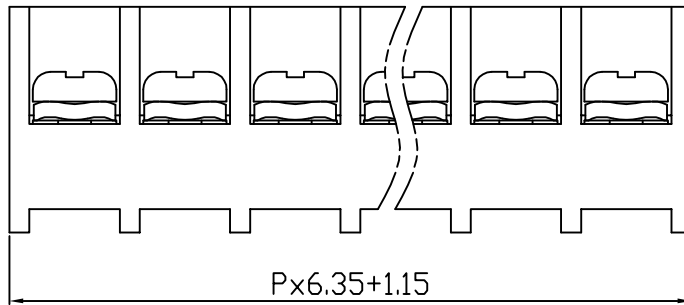
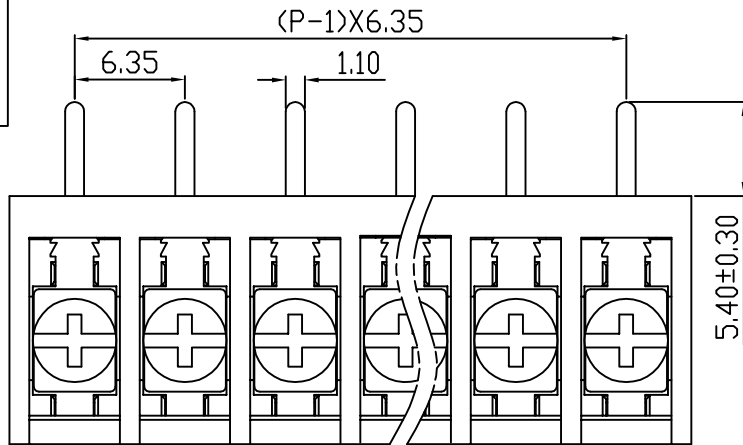


linear dimension(Tolerances Standard GB/T 14486-2008)								—	∇	\perp
variable range	to 6	over 6 to 10	over 10 to 30	over 30 to 60	over 60 to 100	over 100 to 160	over 160 to	to 10	over 10 to 100	over 100 to
tolerance	±0.20	±0.30	±0.50	±0.70	±1.00	±1.30	±1.60	0.10	0.30	0.60



PCB LAYOUT



REVISION RECORD				
REV.	DESCRIPTION	ECN No.	APPROVED	DATE
A	新发行		CLF	21.12.15

UL/CUL 技术参数 UL/CUL Technical Data				
等级 Use Group	B	C	D	
额定电压 Rated Voltage [V]	300	-	-	
额定电流 Rated Current [A]	20	-	-	
接线范围 Wire Range	22-12			
单/多芯线 Solid/Stranded [AWG]				
IEC 技术参数 IEC Technical Data				
额定电压 Rated Voltage [V]	450			
额定电流 Rated Current [A]	24			
耐电压 Withstanding Voltage	2500V/1Min			
导线截面积 Conductor cross section	2.5			
硬质/柔性导线 Solid/flexible [mm ²]				
材料 Material				
绝缘材料 Insulation Material	PA66			
阻燃等级 Inflammability	UL94V-0			
导体材料 Contactor Material	铜合金 Copper alloy			
导体表面镀层 Contactive Coating	镀锡 Tin plating			
一般参数 Other Data				
间距 Pitch [mm]	6.35			
极数 Poles [P]	2-24			
剥线长度 Stripping Length [mm]	-			
螺丝 Screw/扭矩 Torque(Max) [N.m]	M3/0.8			
工作温度 Operating temperatur [°C]	-40~+105			
引针尺寸 Pin Dimensions [mm]	5.4			
PCB板孔径 PCB Hole Diameter [mm]	1.5			

DES.	LQQ	DATE	21.12.15	单位/UNITS	mm	尺寸/SIZE	A4	比例/SCALE	1:1	第三视角/THIRD ANGLE PROJECTION	版本/REV	A
CHK.	BY	DATE	21.12.15	慈溪市科发电子有限公司 CIXI KEFA ELECTRONICS CO., LTD				名称/TITLE	 HB611B-6.35			
APP.	CLF	DATE	21.12.15									