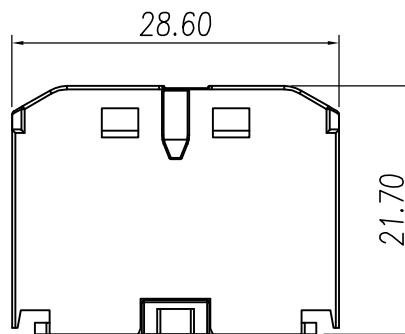
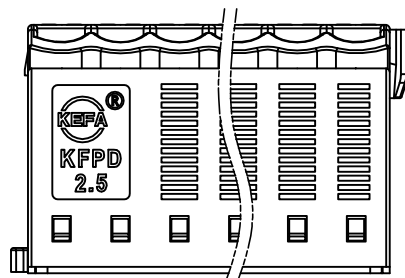
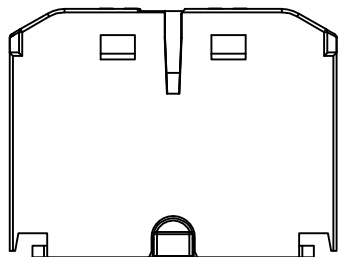
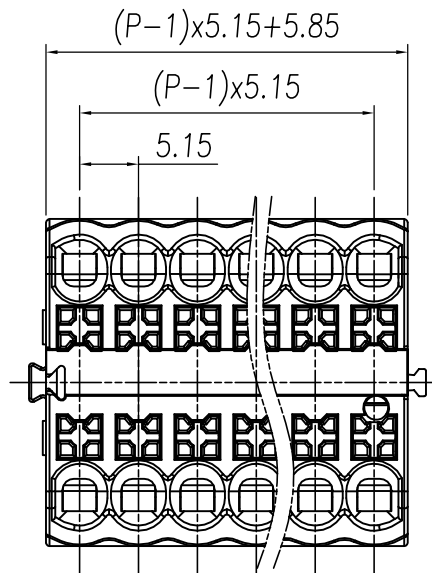


| linear dimension(Tolerances Standard GB/T 14486-2008) | | | | | | | | — | ∇ | \perp | |
|---|------|--------|---------|---------|---------|----------|----------|-------|----------|----------|------|
| variable range | to 6 | over 6 | over 10 | over 30 | over 60 | over 100 | over 160 | to 10 | over 10 | over 100 | |
| | | to 10 | to 30 | to 60 | to 100 | to 160 | to 100 | | to | | |
| tolerance | | ±0.20 | ±0.30 | ±0.50 | ±0.70 | ±1.00 | ±1.30 | ±1.60 | 0.10 | 0.30 | 0.60 |



| REVISION RECORD | | | | |
|-----------------|-------------|---------|----------|----------|
| REV. | DESCRIPTION | ECN No. | APPROVED | DATE |
| A | 新发行 | | CLF | 22.04.11 |
| | | | | |
| | | | | |

| UL/CUL 技术参数 | | UL/CUL Technical Data | | |
|-------------|-----------------------------------|-----------------------|-----|-----|
| 等级 | Use Group | B | C | D |
| 额定电压 | Rated Voltage [V] | 300 | 300 | 600 |
| 额定电流 | Rated Current [A] | 20 | 20 | 5 |
| 接线范围 | Wire Range | 26-12 | | |
| 单/多芯线 | Solid/Stranded [AWG] | | | |
| 耐电压 | Withstanding Voltage | 1600V/1Min | | |
| IEC 技术参数 | | IEC Technical Data | | |
| 过电压类别 | Overtoltage Category | III | - | - |
| 污染等级 | Contamination Class | 3 | - | - |
| 额定电压 | Rated Voltage [V] | 690 | - | - |
| 额定电流 | Rated Current [A] | 24 | - | - |
| 额定冲击电压 | Impulse withstand voltagea [KV] | 8.0 | - | - |
| 导线截面积 | Conductor cross section | 0.2-2.5(4sol) | | |
| 硬质/柔性导线 | Solid/flexible [mm ²] | | | |
| 材料 | | Material | | |
| 绝缘材料 | Insulation Material | PA66 | | |
| 阻燃等级 | Imflammability | UL94V-0 | | |
| 导体材料 | Contactore Material | 铜合金 Copper alloy | | |
| 导体表面镀层 | Contactive Coating | 镀锡 Tin Plated | | |
| 一般参数 | | Other Data | | |
| 间距 | Pitch [mm] | 5.15 | | |
| 极数 | Poles [P] | 02P~16P | | |
| 剥线长度 | Stripping Length [mm] | 8~10 | | |
| 螺丝 | Screw/扭矩 Torque(Max) [N.m] | - | | |
| 工作温度 | Operating temperatur [°C] | -40~+105 | | |
| 引针尺寸 | Pin Dimensions [mm] | - | | |
| PCB板孔径 | PCB Hole Diameter [mm] | - | | |

| | | | |
|------|-----|------|----------|
| DES. | WW | DATE | 22.04.11 |
| CHK. | BY | DATE | 22.04.11 |
| APP. | CLF | DATE | 22.04.11 |

单位 / UNITS mm 尺寸 / SIZE A4 比例 / SCALE 1:1



慈溪市科发电子有限公司
CIXI KEFA ELECTRONIC CO., LTD

| 第三视角/THIRD ANGLE PROJECTION | | 版本 / REV | A |
|-----------------------------|---------|----------|---|
| | | | |
| 名称 / TITLE | KFPD2.5 | | |